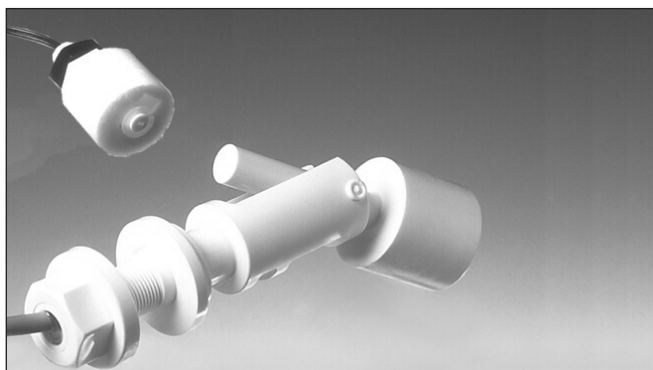


Level Magnetic Sensors ILMPU, ILU and ILMU Series

CARLO GAVAZZI



- Non toxic polypropylene or plastic body
- NO, NC or Change-over output function
- Horizontal mounting
- PVC or silicone cable output connection

Product Description

The ILU and ILMPU models, for horizontal mounting, are also made in non-toxic polypropylene.

The ILMPU model, extremely small dimensioned, can be

used both as a NO function and NC function depending on mounting direction.

The ILMU models, also for horizontal mounting, is made in plastic material.

Ordering Key

ILU.S.2/S1

Type _____
 Reed Contact Type _____
 Special Version _____

Type Selection

Diametro Galleggiante	Output function	Operating temperature	Reference
Ø 17,5 mm	NO, NC	-20 ÷ +80 °C	ILMPU.5
Ø 31 mm			ILMU.5
Ø 45 mm	NO, Change-over	-25 ÷ +100 °C	ILU.2 ILU.8 ILU.S.2 ILU.S.2/S1

General specification

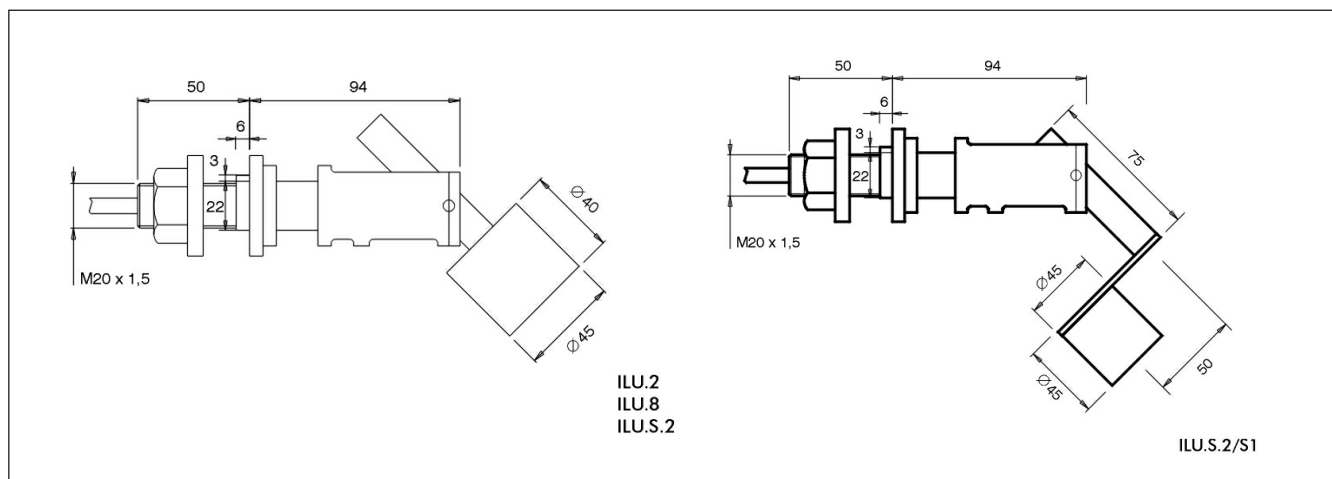
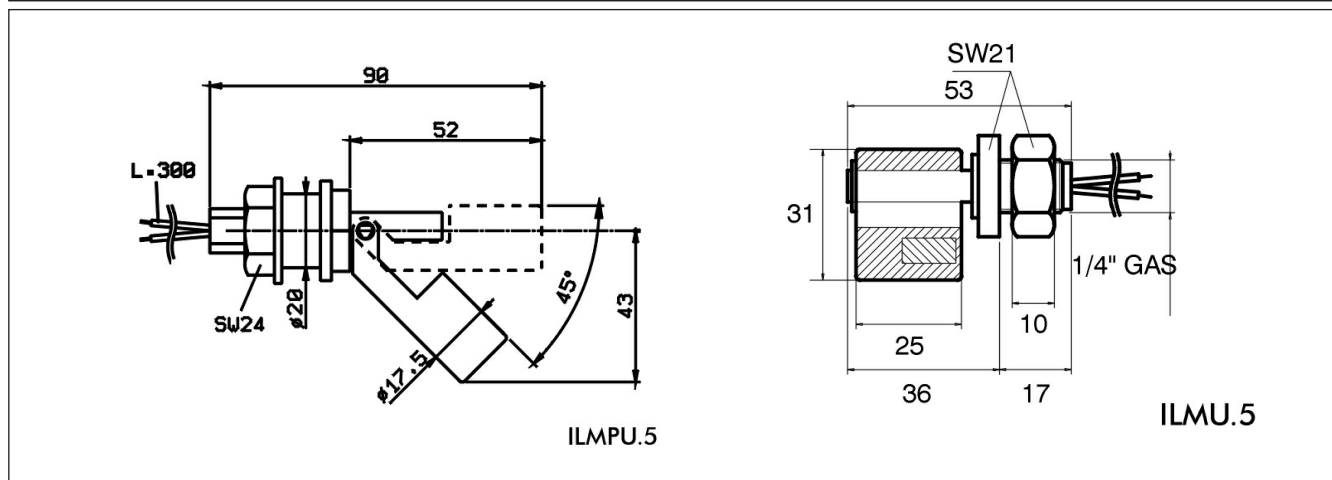
Min liquid specific gravity	
ILMPU ILMU	0,7 kg/dm ³
ILU	0,75 kg/dm ³
Max pressure	
ILMPU ILMU	2 kg/cm ²
ILU	100 kg/cm ²
Case	Plastic
Protection degree	IP68
Output connection	Silicone Cable

Electrical specifications

Contacts	2	5	8	S.2
Max switching voltage	250 Vac	240 Vac / 200 Vdc	1500 Vac	220 Vac
Max switching current	3 A	0,5 A	3 A	1 A
Max switching power	100 VA	50 VA	120 VA	60 VA



Dimensions



Wiring Diagrams

